

# Masport®

## FREESTANDING WOOD FIRES

### CASHMERE



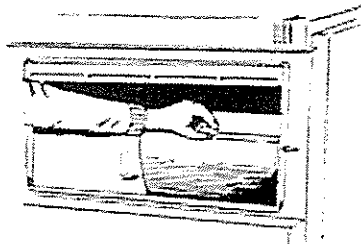
## FINAL ASSEMBLY

Before lighting the woodfire, the positions of the internal castings must be checked in case they have shifted during transit. No force should be required to fit these castings, and they can be removed, if desired, for flue cleaning. However, they **MUST** be in place, and in good condition, when there is a fire in the firebox.

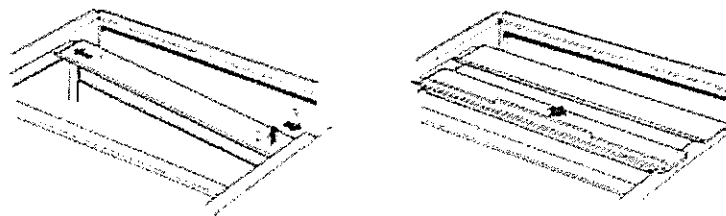
### BELVEDERE, CASHMERE AND PANORAMA 2000.

These models have the same internal castings except that in the CASHMERE the rear lower wall is replaced by firebricks. The rear lower wall fits parallel to the back of the firebox with the angled edge uppermost and the narrower bottom edge resting in the notches cut in the fins across the bottom of the firebox. The top lug fits behind the lower edge of the firebox rear upper wall when it is in place.

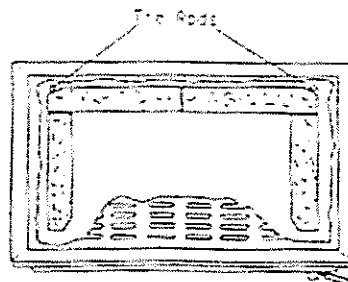
The firebox rear upper wall is an 'L' shaped casting which sits on a ledge at the top of each side wall. The short leg of the 'L' ties horizontal and faces the front of the firebox. It is not necessary to remove the secondary air tube in the Cashmere to fit or remove this casting. If necessary, lift it into position by angling one end up and over its ledge and moving it as far as possible toward the side of the firebox. Lift the other end up over its ledge and bring the casting back to a central position where it will drop into its correct place. As it does so, make sure the lug on top of the rear lower wall is behind the bottom edge of the rear upper wall.



The firebox ceiling has an angled rib which has a step in its height. This angled rib goes on top and toward the front of the firebox. Again this casting rests on top of the ledges. Lift one end over the ledge at a time as before. When finally in position, its rear edge tucks under the 'joggle' along the front edge of the rear upper wall casting.



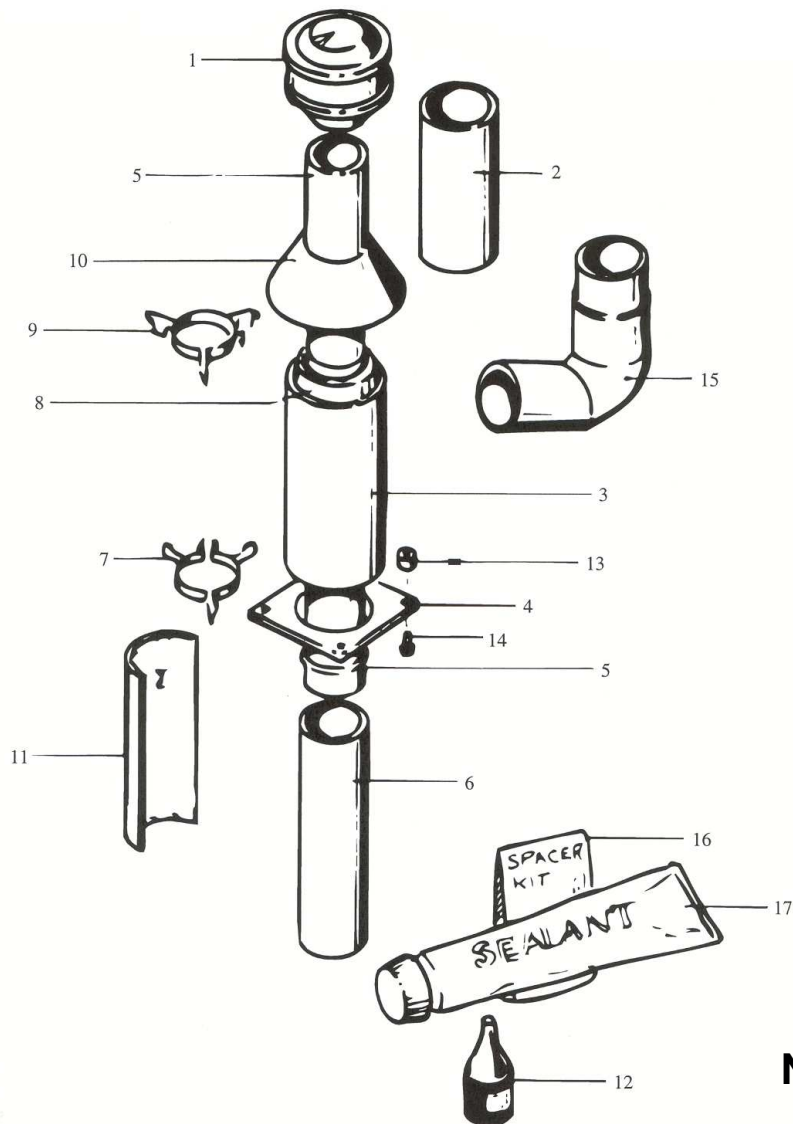
The Cashmere is supplied with four fire bricks. Two bricks fit across the back with their chamfered comers positioned to clear the tie rods in the comers of the firebox, and one brick fits each side with its chamfered comer facing the door opening.







Item No	Part No	Description	Qty	Item No	Part No	Description	Qty
1	985200	Top	1	31	984655	Glass & seal	1
2	985201	LH Side	1	32	502125	Self locking nut	2
3	985202	RH Side	1	33	984571	Door latch	1
4	985203	Back	1	34	501683	Nut M6	1
5	985335	Ceiling	1	35	500463	Flat washer	2
6	985207	Upper rear wall	1	36	584770	Rope	1
7	985236	Lower rear wall	1	37	585224	Handle stud	1
8	985204	Front	1	38	585225	Wooden handle	1
9	985205	Bottom	1	39	985331	Air inlet slide	2
10	984598	Tie rod	4	40	503238	1/4" screw	2
11	501682	Nut M6	16	41	585223	Compression spring	2
12	985229	Flue support panel - coffee	1	42	503146	Screw M6 x 16	4
12a	985347	Flue support panel - black	1	43	984573	Door catch pin	1
12b	985436	Flue support panel - grey	1	44	984596	Hinge assy	1
13	985227	Top panel - coffee	1	45	500374	Flat washer	4
13a	985345	Top panel - black	1	46	985212	Bottom frame - coffee	1
13b	985434	Top panel - grey	1	46a	985343	Bottom frame - black	1
16	503151	Starlock clip	2	46b	985432	Bottom frame - grey	1
17	584581	Masport badge	1	47	501962	Screw M6 x 30	4
18	985209	Top frame - coffee	1	48	503331	Screw M8 x 16	2
18a	985341	Top frame - black	1	49	985219	Pedestal heatshield	1
18b	985430	Top frame - grey	1	50	985298	Pedestal - coffee	1
19	985226	Top frame trim	1	50a	985348	Pedestal - black	1
20	985211	Side panel - coffee	2	50b	985437	Pedestal - grey	1
20a	985342	Side panel - black	2	51	985215	Pedestal backplate - coffee	1
20b	985431	Side panel - grey	2	51a	985346	Pedestal backplate - black	1
21	985213	Rear panel - coffee	1	51b	985435	Pedestal backplate - grey	1
21a	985341	Rear panel - black	1	52	984090	Plug Assy	2
21b	985433	Rear panel - grey	1	53	501602	Nut M8	6
22	985220	Side/rear heat shield	1	54	502093	Flat washer	2
23	503259	Screw 10 x 5	21	55	501617	Screw M8 x 25	2
24	985221	Side panel bracket	2	56	585234	Belvedere name plate	1
25	984595	Door frame - coffee	1	67	985301	Foot - coffee	1
25a	985339	Door frame - black	1	57a	985349	Foot - black	1
25b	985428	Door frame - grey	1	57b	985438	Foot - grey	1
26	984765	Door handle - Threaded	1				
26a	984426	Door handle	1			<b>NOT ILLUSTRATED</b>	
28	984748	Door catch spindle	1				
29	985235	Glass retainer	1				
30	984586	Seal kit for glass	1				
					585416	Fire bedding sand	1



**NZ ONLY**

Item No	Part No	Description	Item No	Part No	Description
1	984531	Raincap, 150mm Dia Flue	12d	586000	Paint, Touch Up - Black
2	584464	Sleeve, Weather	12e	586014	Paint, Touch Up - Matt Brown
3	584506	Shield, Heat - 150mm	12f	586012	Paint, Touch Up - Light Grey
4	584509	Plate, Ceiling - 150mm	12g	586057	Paint, Touch Up - Warm White
5	584504	Flue, Swaged - 150mm S/S	13	501958	Bead, Insulation
6	584293	Flue, Swaged (Tapered) Coffee - Enamel (1st Sec)	14	501957	Screw
6a	584292	Flue, Swaged (Tapered) - Black - Enamel (1st Sec)	15	584513	Elbow, Adjustable - 150mm
6b	584539	Flue, Swaged - Coffee - Enamel (2nd Section)	16	984056	Spacer Kit (4 Spacers & 4 Screws)
6c	584578	Flue, Swaged - Black - Enamel (2nd Section)	17	584048	Sealant
7	584507	Bracket, Centralising - 150mm	<b>NOT ILLUSTRATED</b>		
8	584505	Baffle -150mm	551354		Ceiling Kit
9	584508	Spider - 150mm	551336		Starter Kit - Black
10	584461	Cone, Flashing - Galvanised	551335		Starter Kit - Coffee
11	551337	Deflector, Heat Flue - 1200mm S/S	586047		Flue, Short - Grey
12	584668	Paint, Touch Up - Coffee	586048		Flue, Long - Grey
12a	584667	Paint, Touch Up - Sand	586049		Flue, Short - Warm White
12b	586002	Paint, Touch Up - Tan	586050		Flue, Long - Warm White
12c	586001	Paint, Touch Up - Grey	586051		Flue, Short - Light Grey
			586052		Flue, Long - Light Grey